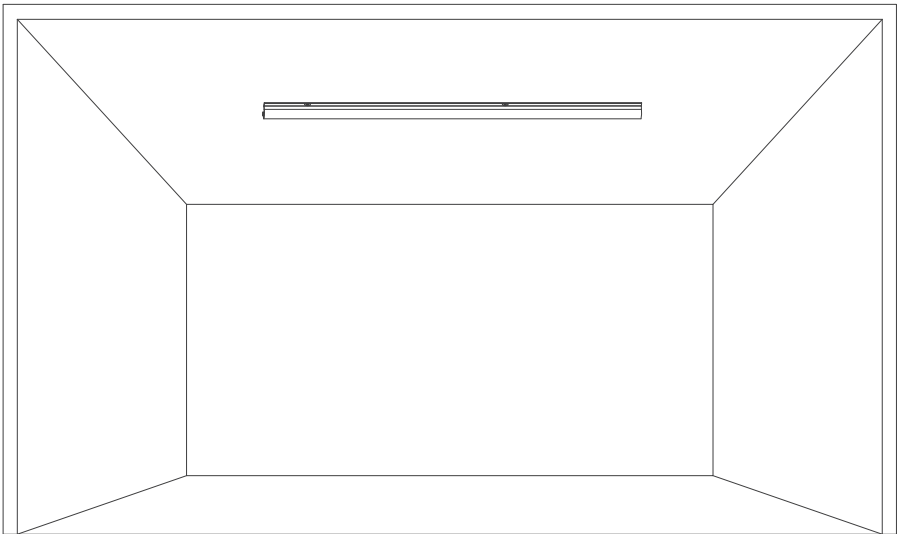


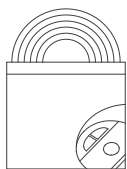
# Installation Manual

## NNR25 Horizontal ceiling mounted accessories V1.1



Please read this manual carefully before installation, and install the product in the correct way.  
Please keep it after reading, so that all users of this product can check it at any time.

## Prepare materials



Neon strip



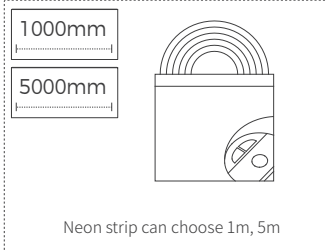
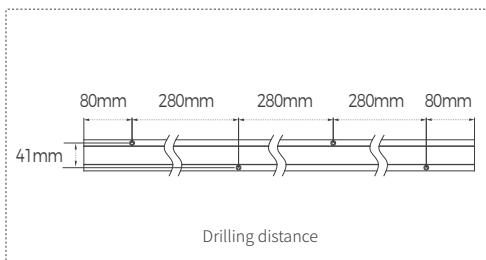
Manual



Rubber plug screw



PC carrier



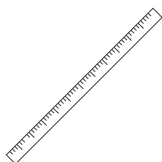
## Installation tools



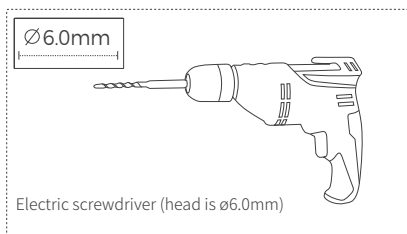
Phillips screwdriver



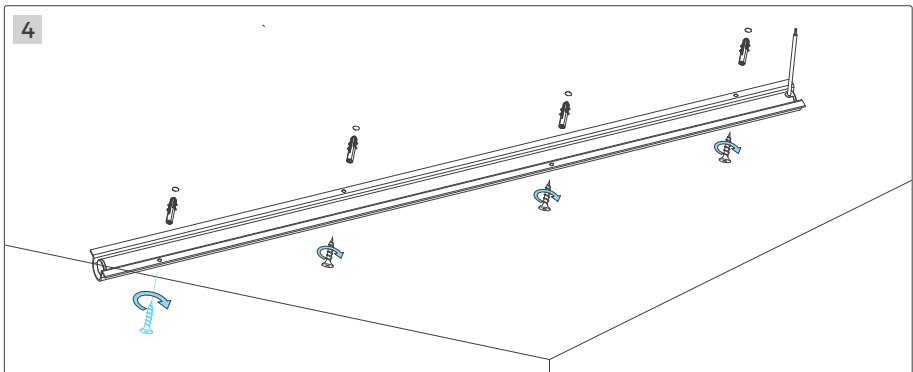
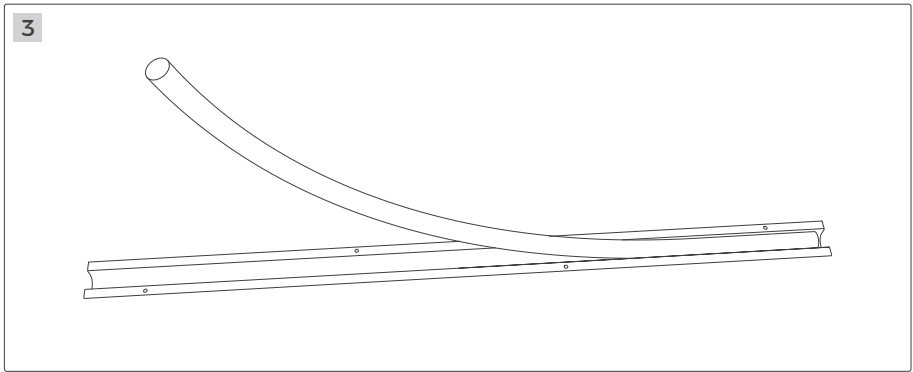
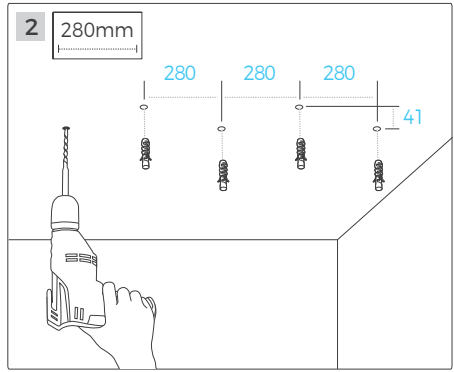
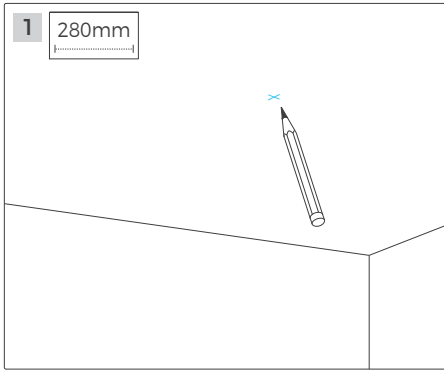
Pen

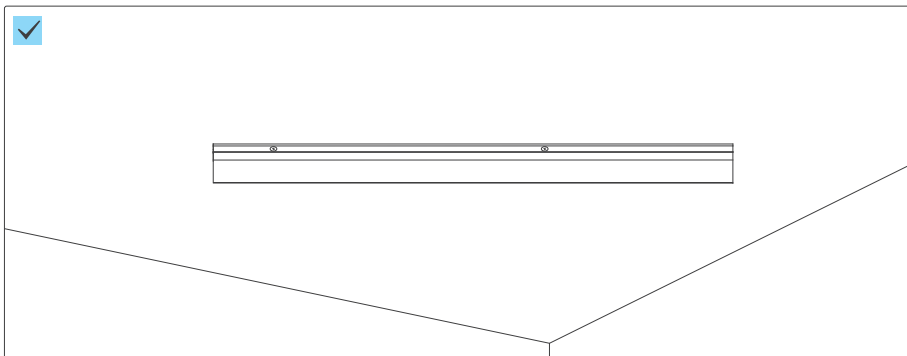


Tape measure



# Installation Steps





## Parameters

Code	Wire length	Load bearing	Outlet	Adaptation model
AS-NNR25LCX-1000	/	4kg	Side/ Top	NNR25-XXCSN050CC0100
				NNR25-XXCSN050CC0500



**Tel:** +86-755-2923-1888  
**E-mail:** colors@colorsled.com  
**Web:** www.colorsled.com  
**Add:** Building A5, Qixing Wisdom Park, Shiyan Youth Road,  
Bao'an District, Shenzhen, China

